



Specially designed for plotting and cutting pattern pieces, the SP-120 plotter is ideal for design centers and in-house design departments. SP-Series plotters are used to create, check or revise pattern pieces and nests, and plot component pieces and mini-markers. These plotters are compatible with Gerber AccuMark™ and AccuMark Silhouette™ systems.

With their high speed and accuracy in plotting and cutting pattern pieces that are right the first time, SP-Series plotters lower your production costs.



SP-120 catch basket collects cut paper for added convenience.

## GERBER *SP SERIES PLOTTER*



Quickly and accurately plot and cut pattern pieces.

SP-120: Compact stand-up plotter for design and sample pattern applications.

- Plot or cut paper patterns on a single machine without manually changing tools.
- Uses continuous roll paper to plot and cut pattern pieces and nests.
- Plots and cuts at speeds up to 60 cm/second.
- Wide plot/cut width of 120 cm (48 in).
- Compact size requires minimal floorspace.
- Catch basket collects cut off paper for added convenience.
- Frees designers from tedious, repetitive and time-consuming cutting tasks, allowing them to concentrate on design functions.
- User interface graphic type LCD (240 x 128 dpi), supporting 10 languages.
- 32-bit CPU with 2 MB local memory for improved speed and total system throughput.
- Two mounted tools for added convenience: roller ball pen and height-adjustable 0.9 mm knife.
- Variable width paper support for added versatility.
- Seamlessly integrates with AccuMark.

# GERBER SP SERIES PLOTTER

## Available Option



0.3 mm water-based fiber-tip pens

## Technical Specifications

### SP-120

#### System Components

Interface	Standard RS-232C (serial cable included)	
WinPlot Supported File Types	GEN, DXF, NC, HPGL	
Maximum Cutting Speed	60 cm/second	23.5 in/second
Maximum Acceleration	13.9 m/s <sup>2</sup> 45° direction	45.6 ft/s <sup>2</sup> 45° direction

#### Paper

	Width	Min. 594 mm Max. 1220 mm	Min. 23.4 in Max. 48 in
	Weight	Max. 20 kg	Max. 44.1lbs
Mountable Roll Media	Core Inside diameter	76 mm	3 in
	Max. Outside diameter	200 mm	7.87 in
Media Types	Fine quality (bond) paper for apparel patterns 64 to 130 g/m <sup>2</sup> 35 lb bond		

#### AccuMark Compatibility

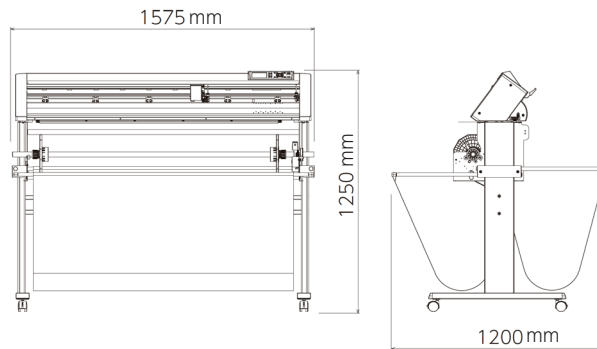
AccuMark version 8.1.2 or higher

#### System Dimensions and Requirements

Dimensions (W x D x H)	Approx. 1575 x 1200 x 1250 mm	62 x 47 x 49 in
Weight (including stand & basket)	Approx. 46 kg	101 lbs
Power Requirements	Rated power supply 100 to 200 VAC, 200 to 240 VAC, 50/60 Hz	
Power Consumption	Approx. 120 VA	

#### Operating Environment

Temperature	10°-30° C	50°-86° F
Humidity	35-75% RH (non-condensing)	
Conditions for Precision	18°-28° C, 40-65% RH non-condensing	64°-82° F, 40-65% RH non-condensing



NOTE: Configurations vary according to options selected. Specifications are subject to change without notice.

AccuMark® is a registered trademark of Gerber Scientific International, Inc.  
 Silhouette™, GERBERmarker and GERBERplotter™ are trademarks of Gerber Scientific International, Inc.  
 Windows® is a registered trademark of Microsoft Corporation.  
 All other trademarks or registered trademarks are the property of their respective owners.